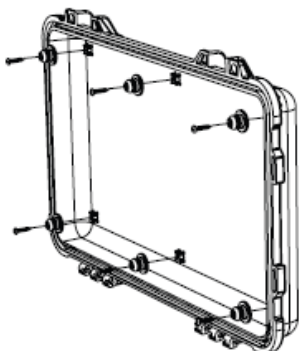


PARTS LIST

Item No.	Part Name	Qty.
1535	1 Peli™ EZ-Click™ MOLLE Panel with Swing Arm Assembly	1
	2 Swing Catch Mounting Boss	4
	3 #8 x 0.875 Phillips Round Head Sheet Metal Screw, SS	4

Item No.	Part Name	Qty.
1560	1 Peli™ EZ-Click™ MOLLE Panel with Swing Arm Assembly	1
	2 Swing Catch Mounting Boss	6
	3 #8 X 1.0 Phillips Round Head Sheet Metal Screw, SS	6

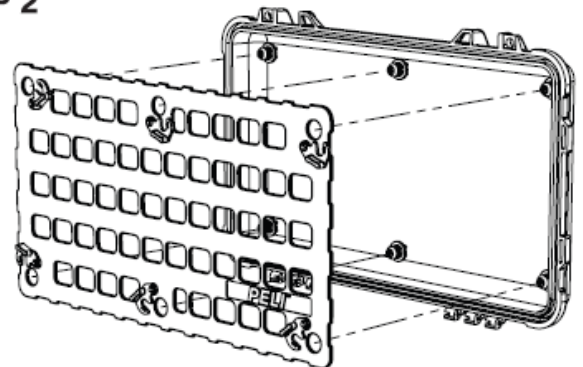
STEP 1



Use a manual screwdriver to install the swing catch mounting bosses onto the lid bosses with the supplied screws. **DO NOT OVERTIGHTEN.**

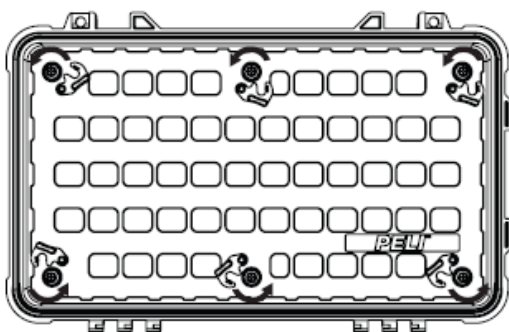
Note: Your Peli™ EZ-Click™ MOLLE Panel could have a different number of bosses to attach depending on the size of the case. See your model's parts list to confirm.

STEP 2



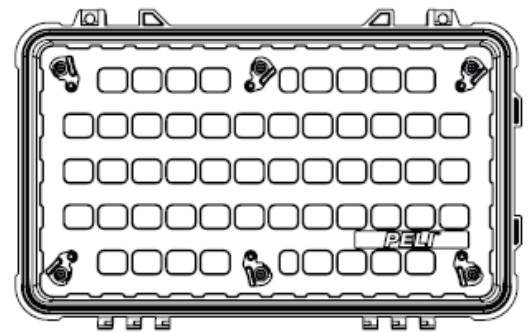
The Peli™ EZ-Click™ MOLLE Panel has swing arms pre-assembled. Carefully position the holes of the Peli™ EZ-Click™ MOLLE Panel onto the swing catch mounting bosses of the lid.

STEP 3



Rotate the swing arm to latch onto the swing catch mounting boss until it clicks (per arrows above).

STEP 4



Installation complete. Enjoy your new Peli™ EZ-Click™ MOLLE Panel.

Note: Bags and straps are not included, and are to be provided and installed to panel by the user